

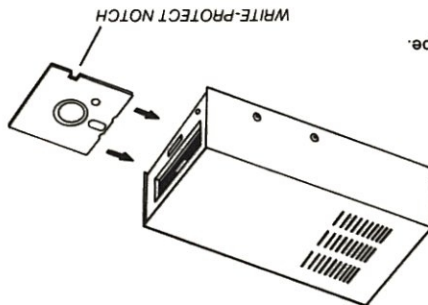


Diskette Software

TEXAS INSTRUMENTS
INCORPORATED
DALLAS TEXAS

Copyright © 1980 Texas Instruments Incorporated

Caution
Don't touch the surfaces of the diskette itself; handle it by its protective cover.
Don't write on the diskette cover with a pencil or ballpoint pen; use felt-tip pen only.
Don't place the diskette near a magnet or anything else that generates a magnetic field. **Don't** insert or remove the diskette from the disk drive when the drive light is on.



To remove the diskette,
open the disk drive door,
and extract the diskette.
Store it in its storage envelope.

INSERTING A DISKETTE:
1. First open the disk drive door on the front of the unit. 2. Hold the diskette gently by the corner nearest the write-protect notch, and insert it into the drive with the notch to the left. 3. Close the door carefully.